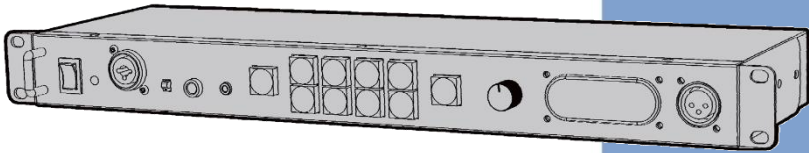


datavideo



**INTERCOM SYSTEM
ITC-100**

Instruction Manual

www.datavideo.com

Table of Contents

FCC COMPLIANCE STATEMENT	4
WARNINGS AND PRECAUTIONS	4
WARRANTY	5
STANDARD WARRANTY	5
FIVE YEAR WARRANTY	5
DISPOSAL	6
1. PRODUCT OVERVIEW	7
FEATURES	7
SYSTEM DIAGRAM	8
2. CONNECTIONS AND CONTROLS	9
FRONT PANEL	9
REAR PANEL.....	11
3. ITC-100SL BELT PACK	12
4. ADDITIONAL CABLE PURCHASE	14
5 PIN XLR EXTENSION CABLE (CB-3 / CB-4).....	14
3.5MM MINI-PLUG TO 4-PIN XLR MALE ADAPTER CABLE.....	14
5. EXAMPLE SYSTEM SETUP	15
SETTING UP THE SE-500 WITH THE ITC-100	15
SETTING UP THE SE-500HD WITH THE ITC-100	16
SETTING UP THE SE-650 WITH THE ITC-100	17
SETTING UP THE SE-700 WITH THE ITC-100	18
SETTING UP THE SE-2200 WITH THE ITC-100	19
SETTING UP THE SE-2850 WITH THE ITC-100.....	20
6. ITC-100 TALLY INPUT	22
TALLY A INPUT PIN DEFINITION	22
TALLY B INPUT PIN DEFINITION	22
7. SPECIFICATIONS	23

SERVICE & SUPPORT24

Disclaimer of Product & Services

The information offered in this instruction manual is intended as a guide only. At all times, Datavideo Technologies will try to give correct, complete and suitable information. However, Datavideo Technologies cannot exclude that some information in this manual, from time to time, may not be correct or may be incomplete. This manual may contain typing errors, omissions or incorrect information. Datavideo Technologies always recommend that you double check the information in this document for accuracy before making any purchase decision or using the product. Datavideo Technologies is not responsible for any omissions or errors, or for any subsequent loss or damage caused by using the information contained within this manual. Further advice on the content of this manual or on the product can be obtained by contacting your local Datavideo Office or dealer.

FCC Compliance Statement

This device complies with part 15 of the FCC rules. Operation is subject to the following two conditions:

- (1) This device may not cause harmful interference, and
- (2) This device must accept any interference received, including interference that may cause undesired operation.

Warnings and Precautions



1. Read all of these warnings and save them for later reference.
2. Follow all warnings and instructions marked on this unit.
3. Unplug this unit from the wall outlet before cleaning. Do not use liquid or aerosol cleaners. Use a damp cloth for cleaning.
4. Do not use this unit in or near water.
5. Do not place this unit on an unstable cart, stand, or table. The unit may fall, causing serious damage.
6. Slots and openings on the cabinet top, back, and bottom are provided for ventilation. To ensure safe and reliable operation of this unit, and to protect it from overheating, do not block or cover these openings. Do not place this unit on a bed, sofa, rug, or similar surface, as the ventilation openings on the bottom of the cabinet will be blocked. This unit should never be placed near or over a heat register or radiator. This unit should not be placed in a built-in installation unless proper ventilation is provided.
7. This product should only be operated from the type of power source indicated on the marking label of the AC adapter. If you are not sure of the type of power available, consult your Datavideo dealer or your local power company.
8. Do not allow anything to rest on the power cord. Do not locate this unit where the power cord will be walked on, rolled over, or otherwise stressed.
9. If an extension cord must be used with this unit, make sure that the total of the ampere ratings on the products plugged into the extension cord do not exceed the extension cord rating.
10. Make sure that the total amperes of all the units that are plugged into a single wall outlet do not exceed 15 amperes.
11. Never push objects of any kind into this unit through the cabinet ventilation slots, as they may touch dangerous voltage points or short out parts that could result in risk of fire or electric shock. Never spill liquid of any kind onto or into this unit.
12. Except as specifically explained elsewhere in this manual, do not attempt to service this product yourself. Opening or removing covers that are marked "Do Not Remove" may expose you to dangerous voltage points or other risks, and will void your warranty. Refer all service issues to qualified service personnel.
13. Unplug this product from the wall outlet and refer to qualified service personnel under the following conditions:
 - a. When the power cord is damaged or frayed;
 - b. When liquid has spilled into the unit;

- c. When the product has been exposed to rain or water;
- d. When the product does not operate normally under normal operating conditions. Adjust only those controls that are covered by the operating instructions in this manual; improper adjustment of other controls may result in damage to the unit and may often require extensive work by a qualified technician to restore the unit to normal operation;
- e. When the product has been dropped or the cabinet has been damaged;
- f. When the product exhibits a distinct change in performance, indicating a need for service.

Warranty

Standard Warranty

- Datavideo equipment is guaranteed against manufacturing defects for **one (1) year** from the date of purchase.
- A valid purchase invoice or other proof of purchase must be provided when requesting warranty service.
- The warranty period begins on the actual purchase date. If the purchase date cannot be verified, the warranty period will begin **thirty (30) days after shipment** from a Datavideo office.
- Non-Datavideo branded products (products without the Datavideo logo) are covered by a **one-year warranty** from the date of purchase.
- Damage caused by accident, misuse, unauthorized repair, or exposure to sand, grit, or water is **not covered** under warranty.
- Virus or malware infections on computer systems are **not covered** under warranty.
- Any issues caused by unauthorized third-party software installations that are not required by Datavideo systems are **not covered** under warranty.
- All shipping, mailing, or transportation costs, including insurance, are the responsibility of the owner unless otherwise stated.
- **Teleprompter glass is not covered** under warranty.
- Accessories, including **headphones, cables, batteries, metal parts, housings, protective cases, cable reels, and consumable items**, are **not covered** under warranty.
- Warranty is valid only in the country or region of purchase.
- All other claims **not explicitly stated** are not covered.
- Your statutory rights remain unaffected.

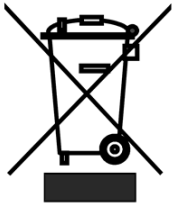
Five Year Warranty

- Starting January 1, 2026, all Datavideo products that are successfully registered on the Datavideo official website are eligible for a **free four-year extended warranty**, in addition to the standard one-year warranty, for a total of **five years of coverage**.



- **Only registrations completed through the Datavideo official website qualify** for the five-year warranty. Registrations completed through local Datavideo offices, resellers, or authorized distributors **are not eligible**.
- Certain parts with limited service life — including **LCD panels, DVD drives, hard drives, solid-state drives, SD cards, USB thumb drives, lighting equipment, non-PCIe cards, and third-party PC components** — are covered by a **one-year warranty only** and are **not eligible** for the extended warranty.
- **Camera modules** are covered by a **three-year warranty from the date of purchase**.

Disposal



For EU Customers only - WEEE Marking

This symbol on the product or on its packaging indicates that this product must not be disposed of with your other household waste. Instead, it is your responsibility to dispose of your waste equipment by handing it over to a designated collection point for the recycling of waste electrical and electronic equipment. The separate collection and recycling of your waste equipment at the time of disposal will help to conserve natural resources and ensure that it is recycled in a manner that protects human health and the environment. For more information about where you can drop off your waste equipment for recycling, please contact your local city office, your household waste disposal service or the shop where you purchased the product.



documents.

CE Marking is the symbol as shown on the left of this page. The letters "CE" are the abbreviation of French phrase "Conformité Européene" which literally means "European Conformity". The term initially used was "EC Mark" and it was officially replaced by "CE Marking" in the Directive 93/68/EEC in 1993. "CE Marking" is now used in all EU official

1. Product Overview

The ITC-100 is a 19" Rack Mount 8 Channel Intercom / Talkback System. It incorporates tally indicators for each channel and individual channel call buttons. The **ALL** button enables the feature that allows the director to communicate with all channels.

The ITC-100 is designed for communication purpose in a live mixing environment and allows easy bi-directional communication between the director and other members of the crew.

It is a perfect communication system for Datavideo SE-500, SE-500HD, SE-650, SE-700, SE-2200 and SE-2850 video mixers.

Features

Front Panel

- Combined XLR and 1/4' (6.3 mm) microphone input
- Dynamic / Condenser microphone selection switch
- 1/4' (6.3mm) Jack for Headphones without microphone
- 3.5mm Jack for Headset with microphone
- Speaker with volume control knob
- Channel buttons 1 – 8 for communicating with individual channels.
- ALL button to activate communication with all channels.
- Base Unit MUTE button

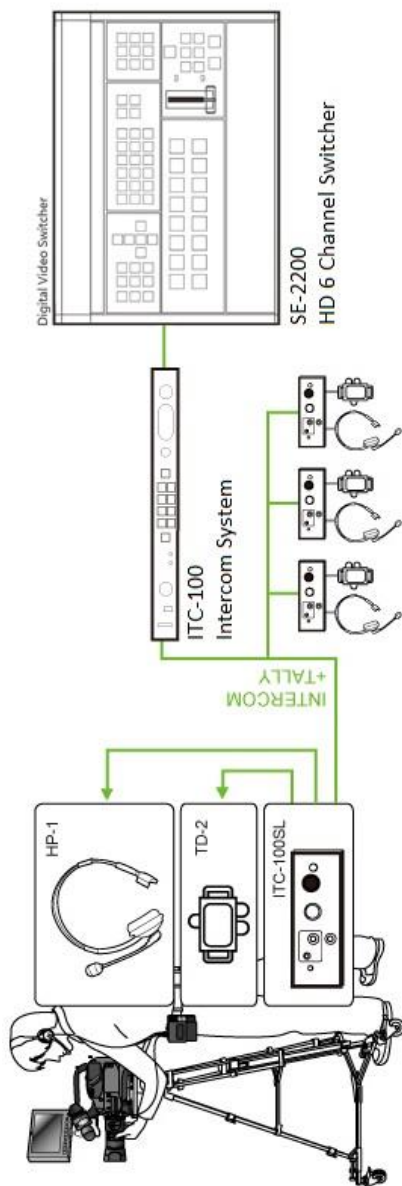
Rear Panel

- 8 x 5pin XLR connectors for cable connection to ITC-100SL Belt Packs.
Additional cable purchase: CB-3 is a 20m 5pin XLR Male to XLR Female cable which allows cable connection to the ITC-100SL of up to 200m.
- 2 x 15pin D Sub Tally Input sockets for tally communication from the switcher to tally light box.

ITC-100SL Belt Pack for Crew members

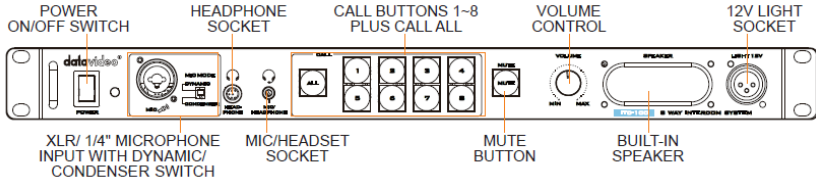
- Call Button for sending paging signal to Base Unit
- Press and hold the **Talk** button to communicate with the director on the Base Unit end.
- Headset volume control knob
- Bi-Color Tally LED on Belt Pack Unit
- TD-2/3 Camera Tally Indicator connected to the Belt Pack

System Diagram



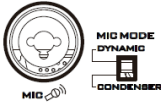
2. Connections and Controls

Front Panel



On/Off Switch

Powers the ITC-100 On / Off. Red LED indicates that unit is switched on.



XLR Microphone Socket

Combined XLR / 1/4" (6.3mm) Microphone Input Jack for either a Condenser or Dynamic Gooseneck Microphone.

- XLR supports Condenser Microphones
- 1/4" (6.3mm) Jack supports Dynamic Gooseneck Microphone (Supplied).



Headphone Socket

1/4" (6.3mm) Stereo Headphone Socket for conventional headphones. Plugging in headphones will disable the built-in speaker.



Microphone / Headset Socket

3.5mm Stereo Socket for Microphone Headset.

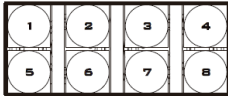
Note: Plugging in a Microphone Headset will disable the built-in speaker and the XLR Microphone Input.



ALL Button

Opens communication with all channels.

Note: All channels will hear communication from the operator, or from any other channels using the ITC-100SL Belt Pack's TALK button.



Channel Buttons 1~8

Opens communication with individual channels. More than 1 channel can be active at any given time, active channels are illuminated red.

All active channels will hear communication from the operator or from any other active channels. The buttons will also indicate if any channel is paging, the paging channel will flash in orange until the page is answered.



Mute Button

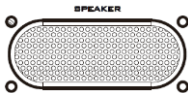
Mutes all communication from the base station or any other channels.

NOTE: If any channel uses the CALL button, the paging tone will still sound even when the MUTE button is active.



Volume Control

Controls the volume of the built-in speaker or audio output to the headphone or MIC headset (whichever is connected).



Built-In Speaker

Sounds audible alert when a channel is paging and provides audio during talkback conversations.

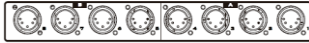
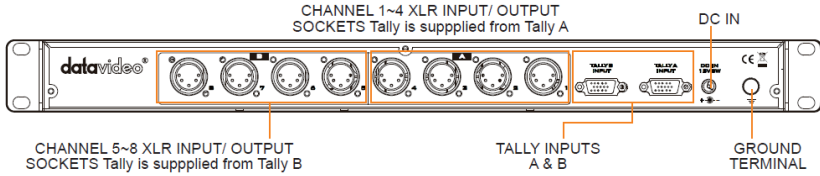
Note: Speaker is disabled when headphone or MIC headset is connected to the ITC-100.



12V Light Socket

12V light socket for powering the connected gooseneck light (supplied).

Rear Panel



Channel Input/Output XLR Ports

Each of the 8 channels has an XLR connector that carries bi-directional signals between the ITC-100 and the ITC-100SL. **Power, tally and bi-directional audio are all carried though the same 5 PIN XLR to XLR cable (supplied).**



Tally Inputs A & B

Tally Inputs A & B provide direct connection to the Datavideo switcher. They supply bi-color tally information to the ITC-100SL; RED indicates Live and GREEN indicates Cued.

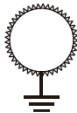
Tally Input A carries bicolor tally information of Channels 1 ~ 4 and Tally Input B carries bicolor tally information of Channels 5 ~ 8.

**DC IN
12V 8W**



DC Power Input 12V 8W

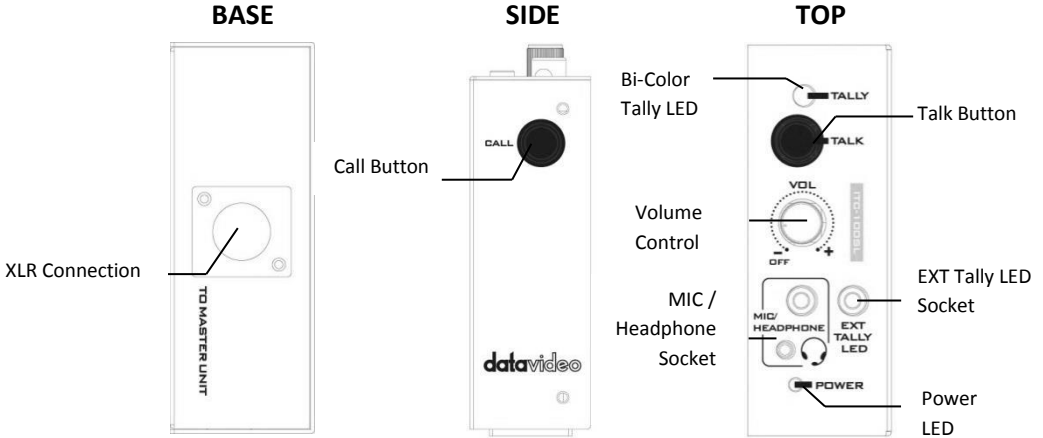
DC in socket connects the supplied 12V / 8W PSU. The connection can be secured by screwing the outer fastening ring of the DC In plug to the socket.

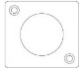







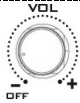
Ground Terminal

When connecting this unit to any other component, make sure that it is properly grounded by connecting this terminal to an appropriate point. When connecting, use the socket and be sure to use wire with a cross-sectional area of at least 1.0 mm².

3. ITC-100SL Belt Pack



 <p>XLR Connection Connects the ITC-100SL to the ITC-100 Base Unit. Power, tally and bi-directional audio are all carried through the same 5 PIN XLR to XLR cable (supplied).</p>	 <p>MIC / Headphone Socket The ITC-100SL has both a 3.5mm MIC socket and a 2.5mm Headset socket. The user is allowed to use a standard 3.5mm MIC / Headset, or a Motorola type 2.5mm MIC / Headset if preferred.</p>
 <p>Call Button Sends a paging message to the ITC-100 Base Unit. The channel button will flash orange and there will be an audible tone each time the button is pressed.</p>	 <p>External Tally LED Socket An external tally LED (TD-2/3) can be connected to the ITC-100SL via a GPI cable. This enables the tally light to be positioned in a more visible place, such as on top of the camera. When the channel is LIVE, the LED will be RED, and when the channel is CUED, the LED will be GREEN.</p>
 <p>Bi-Color Tally LED Illuminates RED when the channel is LIVE and GREEN when the channel is CUED.</p>	<p>NOTE: The Tally LED on the ITC-100SL will continue to operate as normal even after a TD-2/3 has been connected.</p>
 <p>Talk Button Opens up talkback communication with the ITC-100 Base Unit, and any other active channels.</p>	



Volume Control

Adjusts the volume of the headphones.



Power LED

The Power LED will be turned ON when the channel is active. The channel can be activated by pressing the individual channel button 1-8, or the ALL button.

NOTE: The tally LED will continue to work even when the Power LED is not ON, and the channel is not active.

4. Additional Cable Purchase

5 PIN XLR Extension Cable (CB-3 / CB-4)

To extend the reach of the ITC-100SL Belt Pack from the ITC-100 Base Unit, Datavideo provides pre-manufactured XLR cables such as CB-3 and CB-4. The table below lists the respective lengths of the CB-3 and CB-4.

	Length
CB-3	20 m
CB-4	50 m

Please contact your local dealer for price and availability of the CB-3 and CB-4 cables.

ITC-100 XLR Cable PIN Assignments

PIN	Cable	Signal Assignment
1	Red	Tally Red
2	Black	Talk & Call
3	Shield	Common Ground
4	Green	+12V DC power to ITC-100SL
5	White	Tally Green

Note: 5 PIN XLR Cable is a straight through cable (PIN-to-PIN).

3.5mm Mini-Plug to 4-Pin XLR Male Adapter Cable

For connecting an XLR4 professional headset to the 3.5mm socket on the ITC-100SL Belt Pack, Datavideo provides a 3.5mm Mini-Plug to 4-Pin XLR Male Cable which is available through separate purchase.

Note: Please contact your dealer or local Datavideo office for more information on the **3.5mm Mini-Plug to 4-Pin XLR Male Microphone Cable**.

If the headset comes with an electret condenser microphone, then the tip of PIN 2 of the XLR connector should connect a 1uF capacitor for AC coupling.

3.5mm Mini-Plug	XLR Male Connector	Signal Assignment
Tip	PIN 2	Dynamic or Electret Condenser Microphone
Ring	PIN 4	Earphone (Impedance range of 8-100Ω, ideally 30-40 Ω)
Ground/Sleeve	PIN 1 & 3	Common Ground

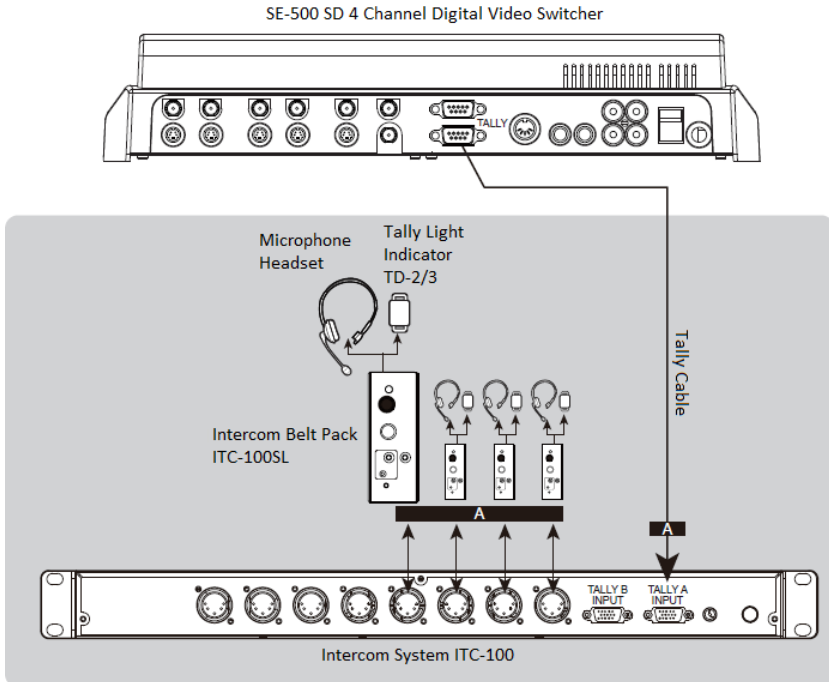
5. Example System Setup

Setting up the SE-500 with the ITC-100

The SE-500 is a four channel video switcher. To set up the SE-500 with the ITC-100, you will need to purchase a 15pin Female D Sub to 15pin Male D Sub Tally Cable (Part No.: G07690150006) from Datavideo.

By using the tally cable, the Tally Output of the SE-500 can be connected to either the ITC-100 Tally Input A or Tally Input B. The Tally Input A carries bicolor tally information of Channels 1-4 (denoted by A on the rear panel of the ITC-100) and the Tally Input B carries bicolor tally information of Channels 5-8 (denoted by B on the rear panel of the ITC-100).

The channel connections to the respective ITC-100SL Belt Packs are depicted in the diagram below.

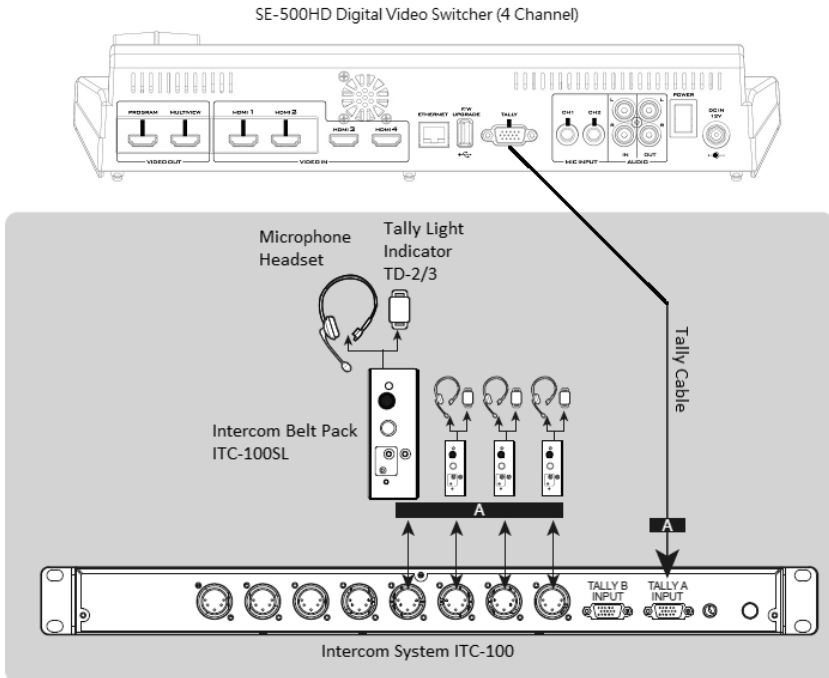


Setting up the SE-500HD with the ITC-100

The SE-500HD is a four channel video switcher. To set up the SE-500HD with the ITC-100, you will need to purchase a 15pin Female D Sub to 15pin Male D Sub Tally Cable (Part No.: G07690150006) from Datavideo.

By using the tally cable, the Tally Output of the SE-500HD can be connected to either the ITC-100 Tally Input A or Tally Input B. The Tally Input A carries bicolor tally information of Channels 1-4 (denoted by A on the rear panel of the ITC-100) and the Tally Input B carries bicolor tally information of Channels 5-8 (denoted by B on the rear panel of the ITC-100).

The channel connections to the respective ITC-100SL Belt Packs are depicted in the diagram below.

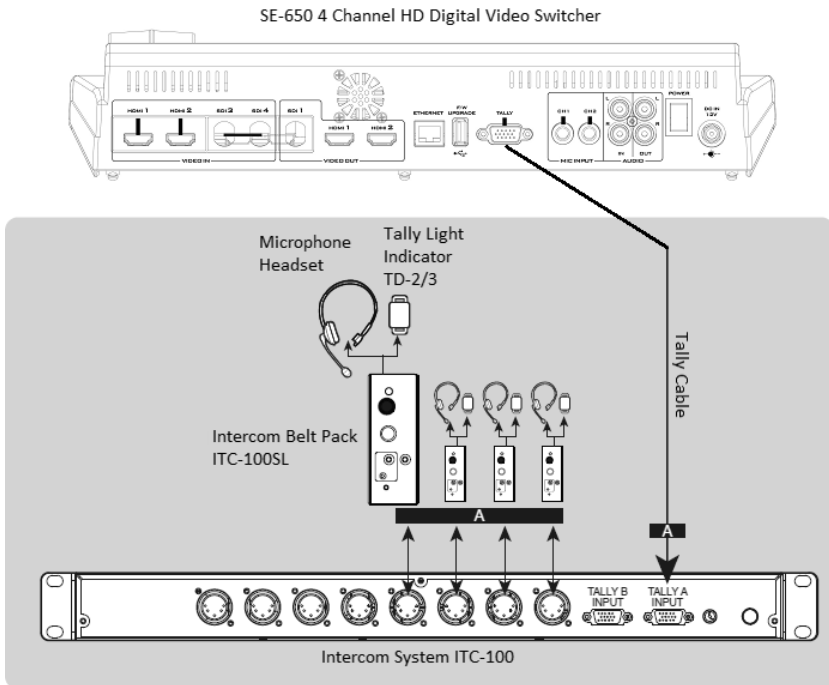


Setting up the SE-650 with the ITC-100

The SE-650 is a four channel video switcher. To set up the SE-650 with the ITC-100, you will need to purchase a 15pin Female D Sub to 15pin Male D Sub Tally Cable (Part No.: G07690150006) from Datavideo.

By using the tally cable, the Tally Output of the SE-650 can be connected to either the ITC-100 Tally Input A or Tally Input B. The Tally Input A carries bicolor tally information of Channels 1-4 (denoted by A on the rear panel of the ITC-100) and the Tally Input B carries bicolor tally information of Channels 5-8 (denoted by B on the rear panel of the ITC-100).

The channel connections to the respective ITC-100SL Belt Packs are depicted in the diagram below.

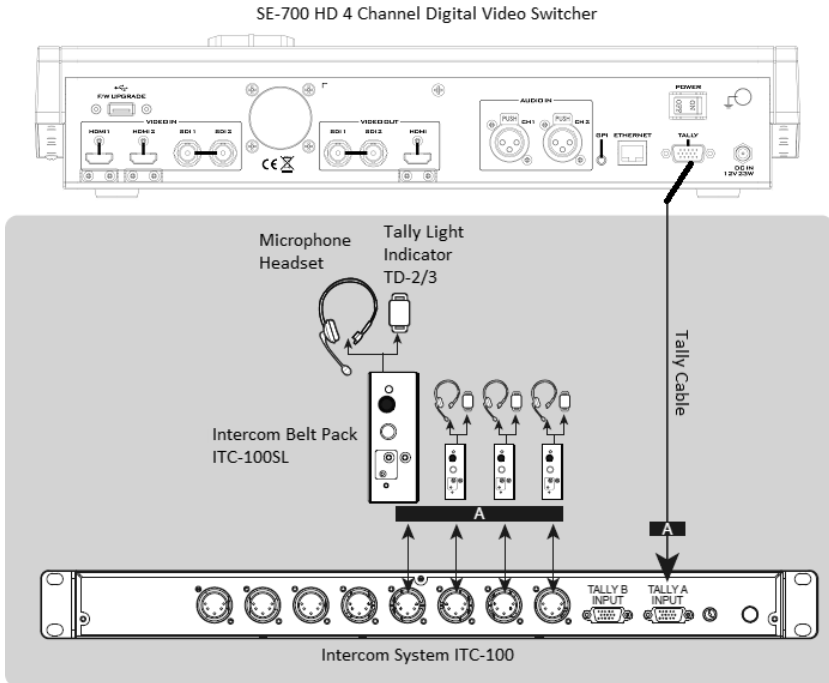


Setting up the SE-700 with the ITC-100

The SE-700 is a four channel video switcher. To set up the SE-700 with the ITC-100, you will need to purchase a 15pin Female D Sub to 15pin Male D Sub Tally Cable (Part No.: G07690150025) from Datavideo.

By using the tally cable, the Tally Output of the SE-700 can be connected to either the ITC-100 Tally Input A or Tally Input B. The Tally Input A carries bicolor tally information of Channels 1-4 (denoted by A on the rear panel of the ITC-100) and the Tally Input B carries bicolor tally information of Channels 5-8 (denoted by B on the rear panel of the ITC-100).

The channel connections to the respective ITC-100SL Belt Packs are depicted in the diagram below.

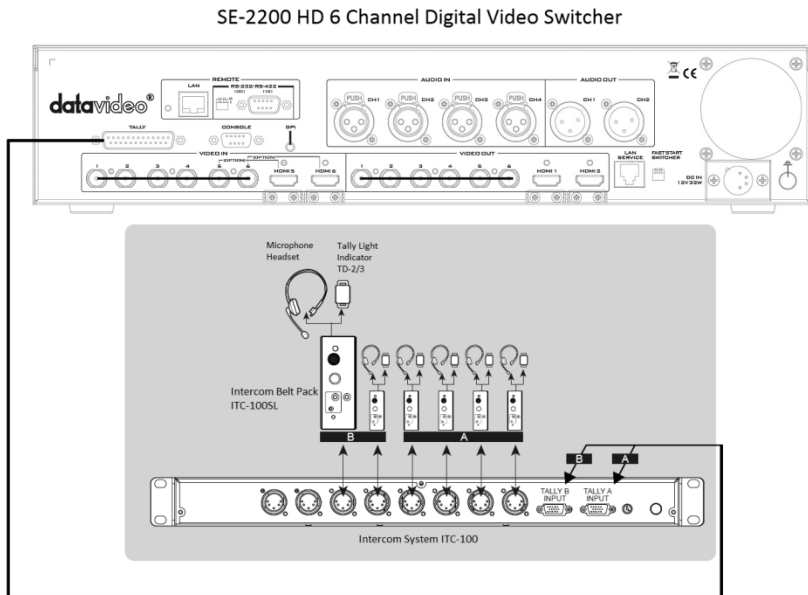


Setting up the SE-2200 with the ITC-100

The SE-2200 is a six channel video switcher. To set up the SE-2200 with the ITC-100, you will need to purchase a CB-28 25pin Male D Sub to 4 x 15pin Male D Sub Tally Cable (Part No.: G07690250002) from Datavideo.

By using the tally cable, the Tally Output of the SE-2200 can be connected to the ITC-100 Tally Input A **AND** Tally Input B. The Tally Input A carries bicolor tally information of Channels 1-4 (denoted by A on the rear panel of the ITC-100) and the Tally Input B carries bicolor tally information of Channels 5-8 (denoted by B on the rear panel of the ITC-100).

The channel connections to the respective ITC-100SL Belt Packs are depicted in the diagram below.



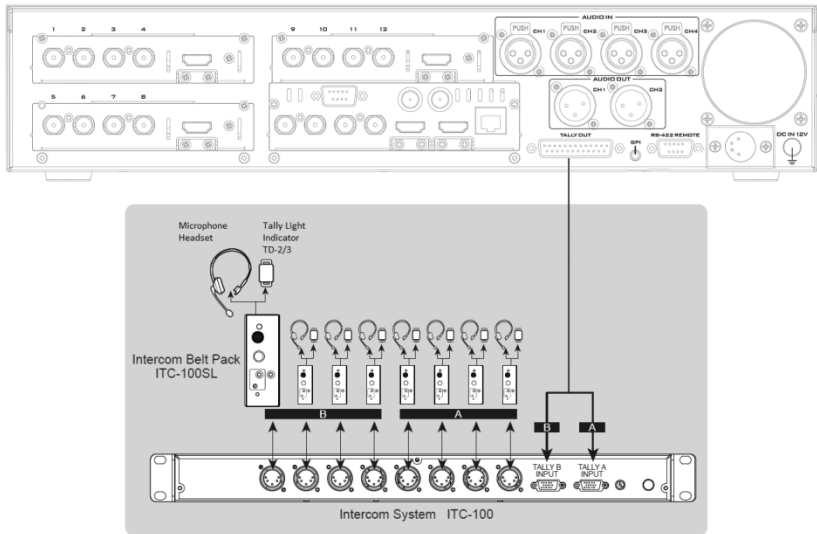
Setting up the SE-2850 with the ITC-100

The SE-2850 is an 8/12 channel video switcher. To set up the SE-2850 with the ITC-100, you will need to purchase a CB-28 25pin Male D Sub to 4 x 15pin Male D Sub Tally Cable (Part No.: G07690250002) from Datavideo.

By using the tally cable, the Tally Output of the SE-2850 can be connected to the ITC-100 Tally Input A **AND** Tally Input B. The Tally Input A carries bicolor tally information of Channels 1-4 (denoted by A on the rear panel of the ITC-100) and the Tally Input B carries bicolor tally information of Channels 5-8 (denoted by B on the rear panel of the ITC-100).

The channel connections to the respective ITC-100SL Belt Packs are depicted in the diagram below.

SE-2850 HD 8/12 Channel Digital Video Switcher



Tally Cables for Connecting Datavideo Switchers to ITC-100			
Part No.	Model	Cable Introduction	Purpose
G07690250002	CB-28	DB25 Pin(Male) to DB15 Pin(Male)*4 Length:1M	Tally communication between SE-2200/2850/3200 and ITC-100 (1 to 2)
G07692150202	CB-42	DB15 Pin(Male) -DB15 Pin (Female) Length:1.2M	Tally communication between SE-500HD/SE-650/ and ITC-100 (1 to 1)
G07690150006	N/A	DB15 Pin(Female)-DB15 Pin(Male) CABLE Length:80cm (Full Length)	Tally communication between SE-500HD/SE-650/ and ITC-100 (1 to 1)
G07690150025	CB-59	CB-59 DB15 Pin(Female)-2*DB15 Pin(Male) CABLE Length:70cm	Tally communication between SE-1200MU and ITC- 100 (1 to 2)

6. ITC-100 Tally Input

If you are using the ITC-100 with a Datavideo product, you do not need to worry about tally information, as it has already been customized for the ITC-100.

However, if you are using the ITC-100 with equipment of other manufacturers, please see the following tables for PIN definitions of the ITC-100 Tally A and B inputs.

Contact closure between a tally PIN and the ground will turn ON the Tally LED. For example, on Tally Input A, if the connection between PIN 1 and PIN 4 is closed, RED Tally LED on Channel 1 will be turned ON; if the connection between PIN 13 and PIN 4 is closed, GREEN Tally LED on Channel 3 will be turned ON.

Tally A Input PIN Definition

Tally A Input carries Tally Information of Channels 1-4. The following table shows the PIN definitions for each channel.

Video Channel	Red LED LIVE (On Air)	Green LED CUED (Next)
1	PIN 1	PIN 3
2	PIN 6	PIN 8
3	PIN 11	PIN 13
4	PIN 5	PIN 15

PINs 4/9/14 are ground pins.

Tally B Input PIN Definition

Tally B Input carries Tally Information of Channels 5-8. The following table shows the PIN definitions for each channel:

Video Channel	Red LED LIVE (On Air)	Green LED CUED (Next)
5	PIN 1	PIN 3
6	PIN 6	PIN 8
7	PIN 11	PIN 13
8	PIN 5	PIN 15

PINs 4/9/14 are ground pins.

7. Specifications

ITC-100 Base Unit		Specifications
Input / Output	Tally	2 x 15 Pin DSub Sockets for Tally A and B
	MIC / Headset	3.5 mm Stereo Jack Socket for Headphone / Microphone combination. Headset Impedance 8-600 Ohms 100 mW (min).
	Headphone	¼" (6.3mm) Stereo Headphone Socket Headset Impedance 8-600 Ohms 100 mW (min).
	Light Socket (DC 12 V)	3 PIN XLR Connector PIN 2: 12V PIN 3: GND Light Power Consumption: 12 V / 100 mA (MAX.)
	Microphone	3 PIN XLR / ¼" (6.3mm) Jack Microphone Socket Switchable Condenser / Dynamic Input Microphone Level -67 dB
Frequency Response		550-3.6 kHz, <+/- 3dB
THD		< 3%
S/N		> 50dB
Built-in Speaker		70mm x 30mm 32 Ohm 3 Watts
Operating Range		Up to 200 meters between base station and slave
Operating Temp. Range		0 – 40 °C
Dimensions (LxWxH)		482x 127x 46mm
Weight		1.9 kg
Power		DC 12V, 8W
ITC-100SL Belt Pack Unit		Specifications
MIC / Headset Socket		3.5 mm Stereo Jack Socket for Headphone / Microphone Headset Impedance 8 - 600 Ohms 100 mW (Min.). Microphone Level -67 dB Or 2.5 mm Stereo Jack Socket for Motorola Mobile Phone type headset / microphone.
Tally OUT Socket		3.5 mm Jack Socket to connect to TD-2 or TD-3 tally indicator.
Tally LED		Bi-color LED – RED indicates LIVE / GREEN indicated CUED
Frequency Response		550-3.6 kHz, <+/- 3dB
THD		< 3%
S/N		> 50dB
Operating Range		Up to 200 meters between Base Station and Slave.
Operating Temp. Range		0 – 40°C
Dimensions (LxWxH)		114 mm x 97 mm x 35 mm
Weight		348 g

Service & Support

It is our goal to make your products ownership a satisfying experience. Our supporting staff is available to assist you in setting up and operating your system. Please refer to our web site www.datavideo.com for answers to common questions, support requests or contact your local office below.

Please visit our website for latest manual update.

<https://www.datavideo.com/product/ITC-100>

datavideo
www.datavideo.com



@DatavideoUSA @DatavideoIndia2016
@DatavideoEMEA @Datavideojapan
@DatavideoTaiwan @DatavideoLatam
@DatavideoAsia @DatavideoBrasil



@Datavideo
@Datavideo_EMEA
@Datavideo_Taiwan



@DatavideoUSA
@DVTWDCVN



@DatavideoUSA
@DatavideoEurope

All the trademarks are the properties of their respective owners.
Datavideo Technologies Co., Ltd. All rights reserved 2020

Jan-09.2026
Ver.: E5